

GHJU Stainless Steel Hook

Features

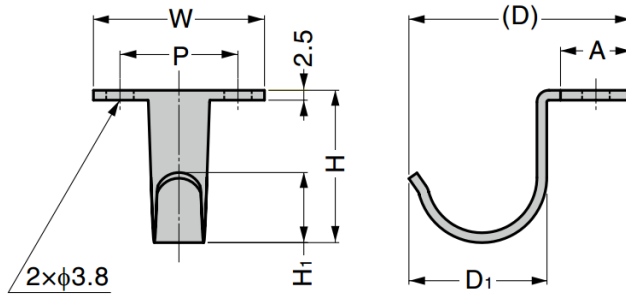
- Wide hook allows for easy hanging
- Can be installed from above or below

Material

- Stainless steel 304, satin

Parts Included

- Truss head tapping screw 3.5×20 (SUS)



Part No.	W	P	H	H ₁	A	D	D ₁	Load Capacity	
GHJU-30S	32.5	20	25	13	13	41.8	25.5	98 N	10 kg
GHJU-50S	43.5	30	38.5	18	18	59	37.5		

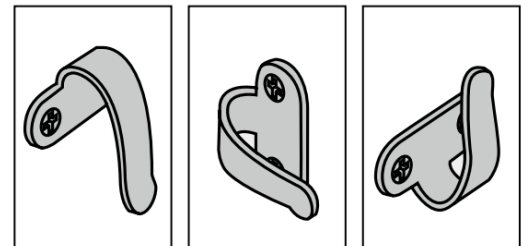
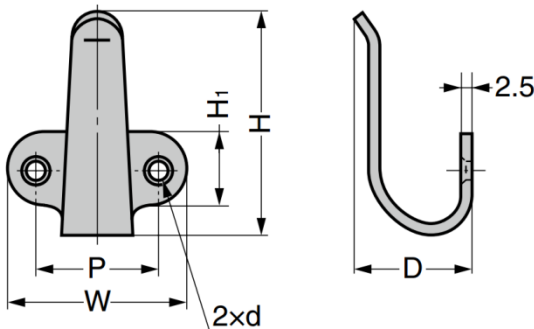
G2H Stainless Steel Hook

Material

- Stainless steel 304, satin finish

Parts Included

- **G2H-20S**: Raised countersunk head wood head screw 3.1×16 (SUS)
- **G2H-30S, G2H-40S, G2H50S**: Raised countersunk head wood head screw 3.5 ×16 (SUS)



Part No.	W	P	H	H ₁	D	d	Load Capacity	
G2H-20S	28	18	30	10	18	ø4, ø6.2	98 N	10 kg
G2H-30S	32.5	20	39	13				
G2H-40S	35	21.5	44	16	23	ø4, ø7	60 N	6 kg
G2H-50S	43	30	56	18	25			